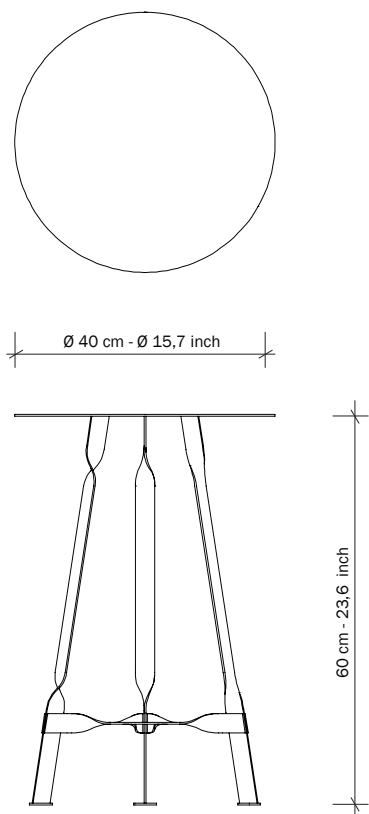


TWIST PETIT

THOMAS SCHNUR



Black



Dark grey



Clear white

SPECIFICATIONS

Table:

Steel, powder coated in black, dark grey or clear white.

Weight:

5,2 kg - 11,4 lb.

3D-FILES OR HR-IMAGES

Check: www.functionals.eu/downloads

by Ad&Simon

FUNCTIONALS

Functionals

Edisonstraat 5

NL-5051 DS Goirle

tel. +31 (0)13 530 03 89

info@functionals.eu

www.functionals.eu